

TEST REPORT

CERTIFICATE OF CONFORMITY

Standard: EN 50121-1: 2017
EN 50121-3-2: 2016+A1:2019
EN 50155: 2021 (EMC Part only)
EN 61000-3-2: 2014 (Not Applicable)
EN IEC 61000-3-2: 2019+A1:2021(Not Applicable)
EN 61000-3-3: 2013+A1:2019+A2:2021(Not Applicable)

Report No.: CEBDBO-WTW-P24040023-1

Product: PCI Express PoE+ Expansion Card

Brand: Vecow

Model No.: PE-2001H

Series Model: PE-2XXXXXXXXXXXXXXXXX ("X" can be 0-9, A-Z or blank for marketing purpose)

Received Date: 2024/4/1

Test Date: 2024/4/8 ~ 2024/4/26

Issued Date: 2024/5/21

Applicant: Vecow Co., Ltd.

Address: 3F., No. 10, Jiankang Rd., Zhonghe Dist., New Taipei City 23586, Taiwan

Issued By: Bureau Veritas Consumer Products Services (H.K.) Ltd., Taoyuan Branch
Lin Kou Laboratories

Lab Address: No. 47-2, 14th Ling, Chia Pau Vil., Lin Kou Dist., New Taipei City, Taiwan

Test Location: No. 47-2, 14th Ling, Chia Pau Vil., Lin Kou Dist., New Taipei City, Taiwan

Approved by:

Jim Hsiang

Date:

2024/5/21

Jim Hsiang / Associate Technical Manager

This test report consists of 51 pages in total. It may be duplicated completely for legal use with the approval of the applicant. It should not be reproduced except in full, without the written approval of our laboratory. The test results in the report only apply to the tested sample. The test results in this report are traceable to the national or international standards.



Prepared by : Jessica Cheng / Senior Specialist

This report is governed by, and incorporates by reference, the Conditions of Testing as posted at the date of issuance of this report at <http://www.bureauveritas.com/home/about-us/our-business/cps/about-us/terms-conditions/>, and is intended for your exclusive use. Any copying or replication of this report to or for any other person or entity, or use of our name or trademark, is permitted only with our prior written permission. This report sets forth our findings solely with respect to the test samples identified herein. The results set forth in this report are not indicative or representative of the quality or characteristics of the lot from which a test sample was taken or any similar or identical product unless specifically and expressly noted. Our report includes all of the tests requested by you and the results thereof based upon the information that you provided to us. Measurement uncertainty is only provided upon request for accredited tests. Statements of conformity are based on simple acceptance criteria without taking measurement uncertainty into account, unless otherwise requested in writing. You have 60 days from date of issuance of this report to notify us of any material error or omission caused by our negligence or if you require measurement uncertainty; provided, however, that such notice shall be in writing and shall specifically address the issue you wish to raise. A failure to raise such issue within the prescribed time shall constitute your unqualified acceptance of the completeness of this report, the tests conducted and the correctness of the report contents.

Table of Contents

Release Control Record	4
1 Certificate.....	5
2 Summary of Test Results	6
2.1 Performance Criteria	6
2.2 Measurement Uncertainty	7
2.3 Supplementary Information	7
3 General Information	8
3.1 Description of EUT	8
3.2 Primary Clock Frequencies of Internal Source.....	8
3.3 Features of EUT	8
3.4 Operating Modes of EUT and Determination of Worst Case Operating Mode	9
3.5 Test Program Used and Operation Descriptions	10
3.6 Connection Diagram of EUT and Peripheral Devices	11
3.7 Configuration of Peripheral Devices and Cable Connections	13
4 Test Instruments	17
4.1 Conducted Emissions from Power Ports	17
4.2 Radiated Emissions up to 1 GHz	18
4.3 Radiated Emissions above 1 GHz.....	19
4.4 Electrostatic Discharges (ESD)	19
4.5 Radio Frequency Electromagnetic Field (RS).....	20
4.6 Fast Transients Common Mode (EFT)	21
4.7 Radio Frequency Common Mode (CS)	21
5 Limits of Test Items.....	23
5.1 Conducted Emissions from Power Ports	23
5.2 Radiated Emissions up to 1 GHz	23
5.3 Radiated Emissions above 1 GHz.....	23
5.4 General immunity requirements	24
6 Test Arrangements	25
6.1 Conducted Emissions from Power Ports	25
6.2 Radiated Emissions up to 1 GHz	26
6.3 Radiated Emissions above 1 GHz.....	27
6.4 Electrostatic Discharges (ESD)	28
6.5 Radio Frequency Electromagnetic Field (RS).....	30
6.6 Fast Transients Common Mode (EFT)	31
6.7 Radio Frequency Common Mode (CS)	32
7 Test Results of Test Item	33
7.1 Conducted Emissions from Power Ports	33
7.2 Radiated Emissions up to 1 GHz	35
7.3 Radiated Emissions above 1 GHz.....	37
7.4 Electrostatic Discharges (ESD)	39
7.5 Radio Frequency Electromagnetic Field (RS).....	41
7.6 Fast Transients Common Mode (EFT)	42
7.7 Radio Frequency Common Mode (CS)	43
8 Pictures of Test Arrangements	44
8.1 Conducted Emissions from Power Ports	44
8.2 Radiated Emissions up to 1 GHz	45
8.3 Radiated Emissions above 1 GHz.....	46
8.4 Electrostatic Discharges (ESD)	47
8.5 Radio Frequency Electromagnetic Field (RS).....	48
8.6 Fast Transients Common Mode (EFT)	49
8.7 Radio Frequency Common Mode (CS)	50

9 Information of the Testing Laboratories51



Release Control Record

Issue No.	Description	Date Issued
CEBDBO-WTW-P24040023-1	Original release.	2024/5/21

1 Certificate

Product: PCI Express PoE+ Expansion Card

Brand: Vecow

Test Model: PE-2001H

Series Model: PE-2XXXXXXXXXXXXXXXXX ("X" can be 0-9, A-Z or blank for marketing purpose)

Sample Status: Mass Production

Applicant: Vecow Co., Ltd.

Test Date: 2024/4/8 ~ 2024/4/26

Standard: EN 50121-1: 2017
EN 50121-3-2: 2016+A1:2019
EN 50155: 2021 (EMC Part only)
EN 61000-3-2: 2014 (Not Applicable)
EN IEC 61000-3-2: 2019+A1:2021 (Not Applicable)
EN 61000-3-3: 2013+A1:2019+A2:2021 (Not Applicable)

Measurement procedure: EN 61000-4-2: 2009 / IEC 61000-4-2: 2008 ED. 2.0
EN IEC 61000-4-3: 2020 / IEC 61000-4-3: 2020 ED. 4.0
EN 61000-4-4: 2012 / IEC 61000-4-4: 2012 ED. 3.0
EN 61000-4-5: 2014+A1:2017 / IEC 61000-4-5: 2017 ED. 3.1 (Not Applicable)
EN 61000-4-6: 2014+AC:2015 / IEC 61000-4-6: 2013 ED. 4.0

The above equipment has been tested by **Bureau Veritas Consumer Products Services (H.K.) Ltd., Taoyuan Branch**, and found compliance with the requirement of the above standards. The test record, data evaluation & Equipment Under Test (EUT) configurations represented herein are true and accurate accounts of the measurements of the sample's EMC characteristics under the conditions specified in this report.

2 Summary of Test Results

The test items that the EUT need to perform in accordance with its interfaces, evaluated functions are as follows:

Standard	Test Item	Result	Remark
EN 50121-3-2, clause 7	Conducted Emissions from Power Ports	Pass	Minimum passing margin is -48.43 dB at 9.30210 MHz
EN 50121-3-2, clause 7	Radiated Emissions up to 1 GHz	Pass	Minimum passing margin is -7.32 dB at 224.68 MHz
EN 50121-3-2, clause 7	Radiated Emissions above 1 GHz	Pass	Minimum passing margin is -12.91 dB at 1796.39 MHz
IEC 61000-4-2	Electrostatic Discharges (ESD)	Pass	For EN 50121-3-2 Performance Criteria B
IEC 61000-4-3	Radio Frequency Electromagnetic Field (RS)	Pass	For EN 50121-3-2 Performance Criteria A
IEC 61000-4-4	Fast Transients Common Mode (EFT)	Pass	For EN 50121-3-2 Performance Criteria A
IEC 61000-4-6	Radio Frequency Common Mode (CS)	Pass	For EN 50121-3-2 Performance Criteria A

Note: Determining compliance based on the results of the compliance measurement, not taking into account measurement instrumentation uncertainty.

2.1 Performance Criteria

General Performance Criteria

The general performance criteria apply for those ports for which no specific performance criteria are defined (e.g. auxiliary ports) in the report.

Performance criterion A: The apparatus shall continue to operate as intended during and after the test. No degradation of performance or loss of function is allowed below a performance level specified by the manufacturer, when the apparatus is used as intended. The performance level may be replaced by a permissible loss of performance. If the minimum performance level or the permissible performance loss is not specified by the manufacturer, either of these may be derived from the product description and documentation, and from what the user may reasonably expect from the apparatus if used as intended.

Performance criterion B: The apparatus shall continue to operate as intended after the test. No degradation of performance or loss of function is allowed below a performance level specified by the manufacturer, when the apparatus is used as intended. The performance level may be replaced by a permissible loss of performance. During the test, degradation of performance is however allowed. No change of actual operating state or stored data is allowed. If the minimum performance level or the permissible performance loss is not specified by the manufacturer, either of these may be derived from the product description and documentation, and from what the user may reasonably expect from the apparatus if used as intended.

Performance criterion C: Temporary loss of function is allowed, provided the function is selfrecoverable or can be restored by the operation of the controls.

2.2 Measurement Uncertainty

Where relevant, the following measurement uncertainty levels have been estimated for tests performed on the EUT as specified in CISPR 16-4-2:

Measurement	Specification	Expanded Uncertainty (k=2) (±)	Maximum allowable uncertainty (±)
Conducted Emissions from Power Ports	9 kHz ~ 30 MHz	2.9 dB	3.4 dB (U_{CISPR})
Radiated Emissions up to 1 GHz	30 MHz ~ 1 GHz	3m : 5.62 dB 10m : 4.26 dB	6.3 dB (U_{CISPR})
Radiated Emissions above 1 GHz	1 GHz ~ 6 GHz	4.38 dB	5.2 dB (U_{CISPR})

The other instruments specified are routine verified to remain within the calibrated levels, no measurement uncertainty is required to be calculated.

2.3 Supplementary Information

There is not any deviation from the test standards for the test method, and no modifications required for compliance.

3 General Information

3.1 Description of EUT

Product	PCI Express PoE+ Expansion Card
Brand	Vecow
Test Model	PE-2001H
Series Model	PE-2XXXXXXXXXXXXXXXXX ("X" can be 0-9, A-Z or blank for marketing purpose)
Model Difference	Marketing Differentiation
Sample Status	Mass Production
Power Supply Rating	DC power from AI Computing System

3.2 Primary Clock Frequencies of Internal Source

The highest frequency generated or used within the EUT or on which the EUT operates or tunes is 1 GHz, provided by Vecow Co., Ltd., for detailed internal source, please refer to the manufacturer's specifications.

3.3 Features of EUT

The tests reported herein were performed according to the method specified by Vecow Co., Ltd., for detailed feature description, please refer to the manufacturer's specifications or user's manual.

Please refer to appendix of the report if the applicant has provided additional descriptions of the EUT.

3.4 Operating Modes of EUT and Determination of Worst Case Operating Mode

Test modes are presented in the report as below.

Test Condition	
Mode	Conducted Emissions from Power Ports
A	Full system + Input Power(230 Vac, 50 Hz)
Mode	Radiated Emissions up to 1 GHz
A	Full system + Input Power(230 Vac, 50 Hz)
Mode	Radiated Emissions above 1 GHz
A	Full system + Input Power(230 Vac, 50 Hz)
Mode	Electrostatic Discharges (ESD)
A	Full system + Input Power(230 Vac, 50 Hz)
Mode	Radio Frequency Electromagnetic Field (RS)
A	Full system + Input Power(230 Vac, 50 Hz)
Mode	Fast Transients Common Mode (EFT)
A	Full system + Input Power(230 Vac, 50 Hz)
Mode	Radio Frequency Common Mode (CS)
A	Full system + Input Power(230 Vac, 50 Hz)

3.5 Test Program Used and Operation Descriptions

For Emission test

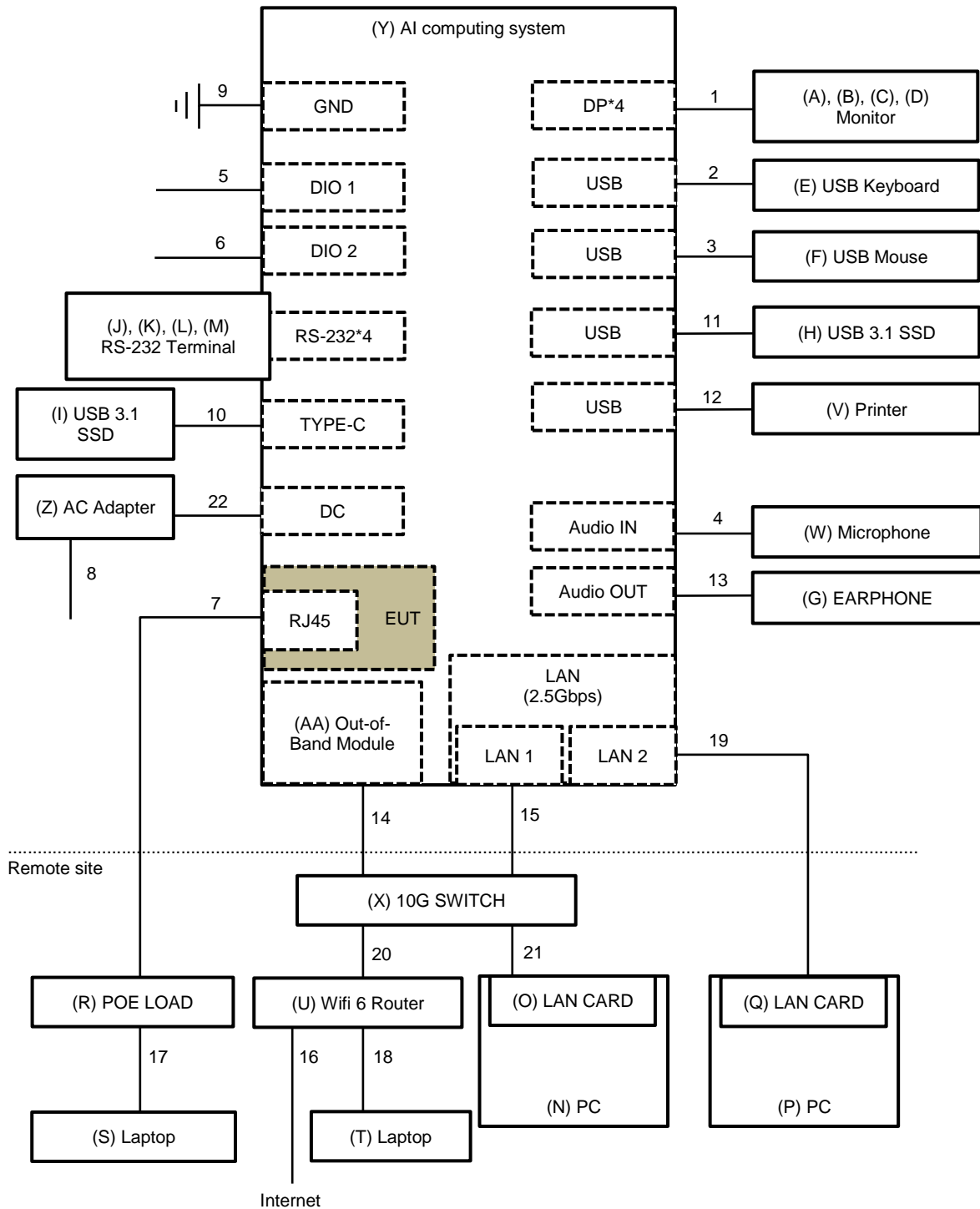
- a. Turned on the power of all equipment.
- b. Server ran a test program (Burnintest) to enable all EUT functions.
- c. Server read and wrote messages to/ from internal/ external storage devices.
- d. Laptop (kept at remote site) sent and received messages to/ from Server via EUT.
- e. PC (kept at remote site) sent and received messages to/ from Server via Lan cable.
- f. Server sent (H) message to monitor. Then the displayed messages on screens simultaneously.
- g. Server sent (1kHz audio) signal to earphone.
- h. Server sent messages to printer and the printer printed them out.
- i. Steps c-h were repeated.

For Harmonics, Flicker & Immunity test

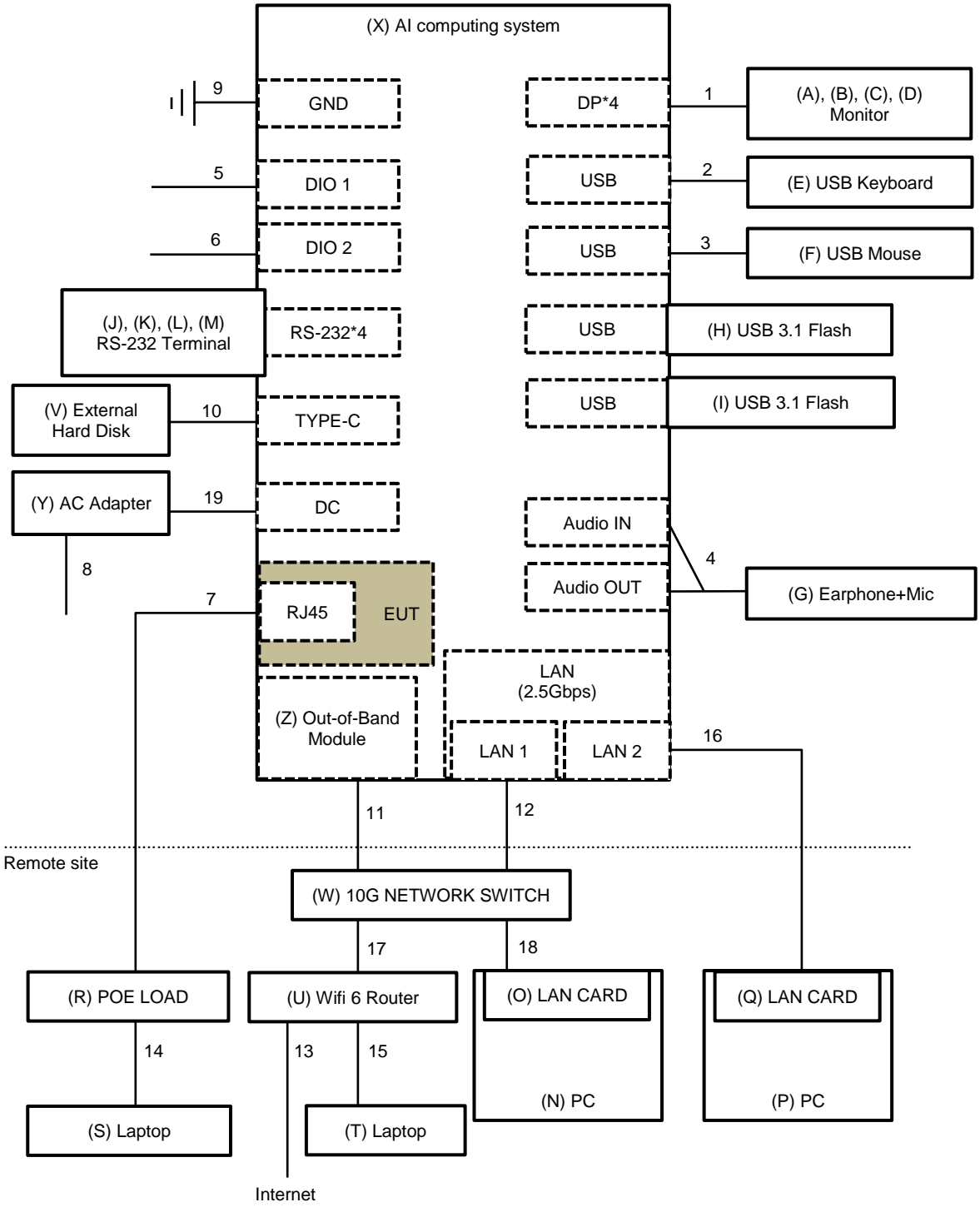
- a. Turned on the power of all equipment.
- b. AI computing system ran a test program to enable all functions.
- c. AI computing system read and wrote messages to/ from internal storage devices and external storage devices.
- d. Laptop (kept at remote site) sent and received messages to/ from EUT via LAN cable.
- e. AI computing system sent "color bars with moving element" messages to ext. LCD monitor. Then they displayed the messages on their screens simultaneously.
- f. AI computing system sent "1kHz audio" signal to earphone.
- g. Steps c-f were repeated.

3.6 Connection Diagram of EUT and Peripheral Devices

For Emission test



For Harmonics, Flicker & Immunity test



3.7 Configuration of Peripheral Devices and Cable Connections

For Emission test

ID	Product	Brand	Model No.	Serial No.	FCC ID	Remarks
A	Monitor	ASUS	PA279CV	M7LMTF235958	DoC	Provided by Lab
B	Monitor	ASUS	PA279CV	M7LMTF235971	DoC	Provided by Lab
C	Monitor	ASUS	PA279CV	M7LMTF235960	DoC	Provided by Lab
D	Monitor	ASUS	PA279CV	M7LMTF236033	DoC	Provided by Lab
E	USB Keyboard	Dell	KB216t	CN-0W33XP-LO300-7CL-191E	N/A	Provided by Lab
F	USB Mouse	DELL	MOCZUL	CN-049TWY-PRC00-77B-008E	N/A	Provided by Lab
G	EARPHONE	PHILIPS	SBC HL150	H2010155	N/A	Provided by Lab
H	USB 3.1 SSD	Crucial	CT500X8SSD9	1940E3200AD3	N/A	Provided by Lab
I	USB 3.1 SSD	Crucial	CT500X8SSD9	1941E323D095	N/A	Provided by Lab
J	RS-232 Terminal	N/A	N/A	N/A	N/A	Supplied by applicant
K	RS-232 Terminal	N/A	N/A	N/A	N/A	Supplied by applicant
L	RS-232 Terminal	N/A	N/A	N/A	N/A	Supplied by applicant
M	RS-232 Terminal	N/A	N/A	N/A	N/A	Supplied by applicant
N	PC	Lenovo	M700	N/A	N/A	Provided by Lab
O	LAN CARD	ZYXEL	XGN100C	N/A	N/A	Provided by Lab
P	PC	DELL	D04S	N/A	N/A	Provided by Lab
Q	LAN CARD	ASUS	XG-C100C	N/A	N/A	Provided by Lab
R	POE LOAD	N/A	N/A	N/A	N/A	Supplied by applicant
S	Laptop	DELL	P41G	FT4W952	N/A	Provided by Lab
T	Laptop	Lenovo	L440	R90FCKH8	N/A	Provided by Lab
U	Wifi 6 Router	ASUS	RT-AX3000	N3IG2Y300356MDV	N/A	Provided by Lab
V	Printer	HP	HP Officejet Pro 251dW	N/A	B94SDGOB1191	Provided by Lab
W	Microphone	E-books	E-EPB099	N/A	N/A	Provided by Lab
X	10G SWITCH	NETGEAR	XS508M	52J22974D07E1	DoC	Provided by Lab
Y	AI computing system	Vecow	RCX-3750-PEG	N/A	N/A	Supplied by applicant
Z	AC Adapter	FSP	FSP120-AAAN2	N/A	N/A	Supplied by applicant
AA	Out-of-Band Module	Vecow	OOB-100	N/A	N/A	Supplied by applicant

ID	Cable Descriptions	Qty.	Length (m)	Shielding (Yes/No)	Cores (Qty.)	Remarks
1	DP	4	1.8	Y	0	Provided by Lab
2	USB	1	1.8	Y	0	Provided by Lab
3	USB	1	1.8	Y	0	Provided by Lab
4	Audio	1	2	N	0	Provided by Lab
5	DIO	1	0.5	N	0	Supplied by applicant
6	DIO	1	0.5	N	0	Supplied by applicant
7	Cat. 5e	1	10	Y	0	Provided by Lab
8	Power	1	1.8	N	0	Provided by Lab
9	GND	1	1.5	N	0	Provided by Lab
10	TYPE-C	1	1.5	Y	0	Provided by Lab
11	USB	1	1	Y	0	Provided by Lab
12	USB	1	1.8	Y	0	Provided by Lab
13	Audio	1	1.2	N	0	Provided by Lab



ID	Cable Descriptions	Qty.	Length (m)	Shielding (Yes/No)	Cores (Qty.)	Remarks
14	Cat. 5e	1	10	Y	0	Provided by Lab
15	Cat. 5e	1	10	Y	0	Provided by Lab
16	Cat. 5e	1	10	Y	0	Provided by Lab
17	Cat. 5e	1	3	Y	0	Provided by Lab
18	Cat. 5e	1	3	Y	0	Provided by Lab
19	Cat. 5e	1	10	Y	0	Provided by Lab
20	Cat. 5e	1	3	Y	0	Provided by Lab
21	Cat. 5e	1	3	Y	0	Provided by Lab
22	Power	1	1.3	N	0	Supplied by applicant

For Harmonics, Flicker & Immunity test

ID	Product	Brand	Model No.	Serial No.	FCC ID	Remarks
A	Monitor	VITA	VT-270JTG2	204270JTFE001	DoC	Provided by Lab
B	Monitor	VITA	VT-270JTG2	204270JTFE002	DoC	Provided by Lab
C	Monitor	DELL	P2415Qb	CN-OGTTPW-74261-662-OAGL	N/A	Provided by Lab
D	Monitor	DELL	P2415Qb	CN-OGTTPW-74261-662-OAAL	N/A	Provided by Lab
E	USB Keyboard	MICROSOFT	1576	N/A	N/A	Provided by Lab
F	USB Mouse	LENOVO	MOEUJUA	N/A	N/A	Provided by Lab
G	Earphone+Mic	HP	H100	3H100210200191	N/A	Provided by Lab
H	USB 3.1 Flash	HP	x750w	N/A	N/A	Provided by Lab
I	USB 3.1 Flash	HP	x750w	N/A	N/A	Provided by Lab
J	RS-232 Terminal	N/A	N/A	N/A	N/A	Supplied by applicant
K	RS-232 Terminal	N/A	N/A	N/A	N/A	Supplied by applicant
L	RS-232 Terminal	N/A	N/A	N/A	N/A	Supplied by applicant
M	RS-232 Terminal	N/A	N/A	N/A	N/A	Supplied by applicant
N	PC	Lenovo	M700	PC0DHBC6	N/A	Provided by Lab
O	LAN CARD	ZYXEL	XGN100C	N/A	N/A	Provided by Lab
P	PC	DELL	OptiPlex 390SF Base	74PVWBX	N/A	Provided by Lab
Q	LAN CARD	ASUS	XG-C100C	N/A	N/A	Provided by Lab
R	POE LOAD	N/A	N/A	N/A	N/A	Supplied by applicant
S	Laptop	DELL	P41G	FT4W952	N/A	Provided by Lab
T	Laptop	Lenovo	L440	R90FCKH8	N/A	Provided by Lab
U	Wifi 6 Router	ASUS	RT-AX3000	N3IG2Y300356MDV	N/A	Provided by Lab
V	External Hard Disk	WD	WDBATL5000ABK	2121FZ400129	N/A	Provided by Lab
W	10G NETWORK SWITCH	NETGEAR	XS508M	52J23372D012B	N/A	Provided by Lab
X	AI computing system	Vecow	RCX-3750-PEG	N/A	N/A	Supplied by applicant
Y	AC Adapter	FSP	FSP120-AAAN2	N/A	N/A	Supplied by applicant
Z	Out-of-Band Module	Vecow	OOB-100	N/A	N/A	Supplied by applicant

ID	Cable Descriptions	Qty.	Length (m)	Shielding (Yes/No)	Cores (Qty.)	Remarks
1	DP	4	1.8	Y	0	Provided by Lab
2	USB	1	1.8	Y	0	Provided by Lab
3	USB	1	1.8	Y	0	Provided by Lab
4	Audio	1	2	N	0	Provided by Lab
5	DIO	1	0.5	N	0	Supplied by applicant
6	DIO	1	0.5	N	0	Supplied by applicant
7	Cat. 5e	1	10	Y	0	Provided by Lab
8	Power	1	1.8	N	0	Provided by Lab
9	GND	1	1.5	N	0	Provided by Lab
10	TYPE-C	1	0.15	Y	0	Provided by Lab
11	Cat. 5e	1	10	Y	0	Provided by Lab
12	Cat. 5e	1	10	Y	0	Provided by Lab
13	Cat. 5e	1	10	Y	0	Provided by Lab
14	Cat. 5e	1	10	Y	0	Provided by Lab



ID	Cable Descriptions	Qty.	Length (m)	Shielding (Yes/No)	Cores (Qty.)	Remarks
15	Cat. 5e	1	10	Y	0	Provided by Lab
16	Cat. 5e	1	10	Y	0	Provided by Lab
17	Cat. 5e	1	10	Y	0	Provided by Lab
18	Cat. 5e	1	10	Y	0	Provided by Lab
19	Power	1	1.3	N	0	Supplied by applicant

4 Test Instruments

The calibration interval of the all test instruments are 12 months and the calibrations are traceable to NML/ROC and NIST/USA.

4.1 Conducted Emissions from Power Ports

Description Manufacturer	Model No.	Serial No.	Calibrated Date	Calibrated Until
50 ohm terminal resistance LYNICS	0900510	E1-01-305	2024/2/6	2025/2/5
		E1-011285	2023/9/21	2024/9/20
		E1-011286	2023/9/21	2024/9/20
Coupling / Decoupling Network TESEQ	CDN A201A	44601	2023/12/14	2024/12/13
EMI Test Receiver R&S	ESCS 30	100276	2024/4/24	2025/4/23
	ESR3	102413	2024/1/29	2025/1/28
Fixed Attenuator EMEC	EM-ATT30002602NN	N/A	2024/3/22	2025/3/21
Fixed Attenuator STI	STI02-2200-10	NO.3	2023/10/20	2024/10/19
High Voltage Probe Schwarzbeck	TK9420	00982	2023/12/11	2024/12/10
LISN R&S	ENV216	101196	2023/5/22	2024/5/21
		101197	2023/7/12	2024/7/11
	ESH3-Z5	100220	2023/11/22	2024/11/21
LISN Schwarzbeck	NNLK 8121	8121-731	2023/6/9	2024/6/8
		8121-00759	2023/8/21	2024/8/20
		8121-808	2023/5/2	2024/5/1
	NNLK 8129	8129229	2023/6/27	2024/6/26
RF Coaxial Cable PEWC	5D-FB	Cable-CO3-01	2023/9/13	2024/9/12
Software BVADT	Cond_V7.4.1.0	N/A	N/A	N/A

Notes:

1. The test was performed in Linkou Conduction 3.
2. The VCCI Site Registration No. C-10274.
3. Tested Date: 2024/4/26

4.2 Radiated Emissions up to 1 GHz

Description Manufacturer	Model No.	Serial No.	Calibrated Date	Calibrated Until
ADT. Tower	AT100	0205	N/A	N/A
ADT. Turn Table	TT100	0205	N/A	N/A
Bi_Log Antenna Schwarzbeck	VULB 9168	9168-303	2023/10/17	2024/10/16
Coupling / Decoupling Network Schwarzbeck	CDNE-M2	00097	2023/5/25	2024/5/24
	CDNE-M3	00091	2023/5/25	2024/5/24
EMI Test Receiver R&S	ESCS 30	100292	2023/9/7	2024/9/6
Fixed Attenuator Mini-Circuits	UNAT-5+	PAD-ST2-01	2023/10/20	2024/10/19
MXE EMI Receiver Agilent	N9038A	MY50010158	2023/10/11	2024/10/10
Preamplifier Agilent	8447D	2944A11062	2024/2/7	2025/2/6
Preamplifier HP	8447D	2944A08313	2024/2/7	2025/2/6
RF Coaxial Cable Pacific	8D-FB	Cable-ST2-01	2023/11/7	2024/11/6
Software BVADT	Radiated_V8.8.09	N/A	N/A	N/A

Notes:

1. The test was performed in Linkou Open Site2 , The test site validated date: 2023/7/15 (NSA)
2. The VCCI Site Registration No. R-10237.
3. Tested Date: 2024/4/26

4.3 Radiated Emissions above 1 GHz

Description Manufacturer	Model No.	Serial No.	Calibrated Date	Calibrated Until
Fix tool for Boresight antenna tower BV	BAF-01	9	N/A	N/A
Fixed Attenuator Mini-Circuits	BW-K3-2W44+	PAD-CH7-03	2023/7/6	2024/7/5
	BW-N4W5+	PAD-CH10-02	2023/7/6	2024/7/5
Horn Antenna EMCO	3115	6714	2023/11/12	2024/11/11
Horn Antenna ETS-Lindgren	3117-PA	00215857	2023/11/12	2024/11/11
Horn Antenna Schwarzbeck	BBHA-9170	BBHA9170190	2023/11/12	2024/11/11
MXA Signal Analyzer Keysight	N9020B	MY60110438	2023/11/28	2024/11/27
		MY60112260	2023/5/24	2024/5/23
Notch Filter Micro-Tronics	BRC50703-01	010	2023/5/25	2024/5/24
	BRM17690	005	2023/5/25	2024/5/24
Preamplifier EMCI	EMC0126545	980076	2024/2/15	2025/2/14
	EMC184045B	980235	2024/2/15	2025/2/14
Preamplifier HP	8449B	3008A01292	2024/2/15	2025/2/14
PSA Spectrum Analyzer Agilent	E4446A	MY51100009	2023/6/21	2024/6/20
RF Coaxial Cable EMCI	EMC102-KM-KM-1000	200310	2024/3/11	2025/3/10
	EMC102-KM-KM-3000	200312	2024/3/11	2025/3/10
Software BVADT	Radiated_V8.8.09	N/A	N/A	N/A
Turn Table & Tower Max Full	MF7802	MF780208216	N/A	N/A

Notes:

1. The test was performed in Linkou 966 Chamber 3 (CH 10).
2. The VCCI Site Registration No. G-10427.
3. Tested Date: 2024/4/25

4.4 Electrostatic Discharges (ESD)

Description Manufacturer	Model No.	Serial No.	Calibrated Date	Calibrated Until
Electronic Discharge Simulator Noiseken	ESS-2000	ESS0382041	2023/10/13	2024/10/12
Electrostatic Analog Tester TESEQ	NSG 438	1875	2023/11/10	2024/11/9
ESD Generator EM TEST	Dito	V0701102114	2023/11/7	2024/11/6
	Dito//DM-150/330//DM-150/330-rfci	P1315117252/P1317117852	2023/7/6	2024/7/5
ESD Simulator TESEQ	NSG 438	1364	2023/11/10	2024/11/9

Notes:

1. The test was performed in Linkou ESD Room No.03.
2. Tested Date: 2024/4/9

4.5 Radio Frequency Electromagnetic Field (RS)

Description Manufacturer	Model No.	Serial No.	Calibrated Date	Calibrated Until
Audio analyzer R&S	UPV	104934	2023/8/7	2024/8/6
Band Pass Filter B&K	WH3278	N/A	2023/11/20	2024/11/19
CHANCE MOST Full Anechoic Chamber (9x5x3m)	Chance Most	RS-002	2024/1/22	2025/1/21
Controller Amplifier Research	SC1000M3	305910	N/A	N/A
High Gain Horn Antenna Amplifier Research	AT4010	0329800	N/A	N/A
Isotropic EM Field Probe+EM Field Meter Wavecontrol	WPF18+SMP2	21WP090492+21SN1691	2023/12/14	2024/12/13
Log Periodic Antenna Amplifier Research	AT6080	0329465	N/A	N/A
Power Amplifier Amplifier Research	35S4G8AM4	0326094	N/A	N/A
Power Amplifier BONN	BSA 0125-800	1912556	N/A	N/A
Power Sensor Boonton	51011-EMC	32807	2023/5/31	2024/5/30
		32832	2023/5/31	2024/5/30
Pressure-field Microphone B&K	4192	3190854	2023/12/12	2024/12/11
		3190855	2023/12/12	2024/12/11
PSG Analog Signal Generator Agilent	E8257D	MY48050465	2023/6/26	2024/6/25
RF Power Amplifier BONN	BLMA 1060-150	2214325C-02	N/A	N/A
	BLWA 0810-250	2214325A-01	N/A	N/A
RF Power Meter Boonton	4232A	94901	2023/5/31	2024/5/30
Software BVADT	ABMS_Audio V7.4.10	N/A	N/A	N/A
Software BVADT	RS_V7.6.14	N/A	N/A	N/A
Stacked Log Periodic Antenna Schwarzbeck	STLP 9149	9149-260	N/A	N/A
Two channel microphone conditioning amplifier B&K	2690 OS2	3001996	2023/11/20	2024/11/19
Wireless Connectivity Tester R&S	CMW270	101075	2023/4/28	2024/4/27

Notes:

1. The test was performed in Linkou RS Room No.02.
2. Tested Date: 2024/4/11

4.6 Fast Transients Common Mode (EFT)

Description Manufacturer	Model No.	Serial No.	Calibrated Date	Calibrated Until
Capacitive Coupling clamp EMC PARTNER	CN-EFT1000	352	2024/4/15	2025/4/14
Surge & EFT Generators TESEQ	NSG 3060	1572	2024/4/15	2025/4/14

Notes:

1. The test was performed in Linkou EMS Room No.02.
2. Tested Date: 2024/4/19

4.7 Radio Frequency Common Mode (CS)

Description Manufacturer	Model No.	Serial No.	Calibrated Date	Calibrated Until
Audio analyzer R&S	UPV	104934	2023/8/7	2024/8/6
Band Pass Filter B&K	WH3278	N/A	2023/6/8	2024/6/7
CDN Calibration Kit TESEQ	CDN T8S	29459	2024/2/19	2025/2/18
Coupling / Decoupling Network EM TEST	CDN M1/32A	306508	2024/2/19	2025/2/18
Coupling / Decoupling Network FCC	FCC-801-M2-16A	01047	2024/2/19	2025/2/18
	FCC-801-M5-50A	100018	2024/1/16	2025/1/15
Coupling / Decoupling Network TESEQ	CDN M232	37702	2024/2/19	2025/2/18
	CDN M332	41256	2024/2/19	2025/2/18
		41258	2024/2/19	2025/2/18
	CDN M432S	56519	2024/2/19	2025/2/18
	CDN S200	53490	2024/2/19	2025/2/18
	CDN S400	52115	2024/2/19	2025/2/18
	CDN S751A	56435	2024/2/19	2025/2/18
		56436	2024/2/19	2025/2/18
	CDN ST08A	56525	2024/2/19	2025/2/18
		56527	2024/2/19	2025/2/18
	CDN T2A-10	54942	2024/2/19	2025/2/18
	CDN T8-10	40376	2024/2/19	2025/2/18
	CDN T8-230	56641	2023/9/28	2024/9/27
		56642	2023/9/28	2024/9/27
CDN T400A	49918	2024/2/19	2025/2/18	
CDN T800	34428	2024/2/19	2025/2/18	
Current Clamp FCC	F-120-9A	361	2023/8/23	2024/8/22
FCC EM Injection Clamp FCC	F-203I-23mm	455	N/A	N/A
Fixed Attenuator SGH	VFA_Z-06H20-N2-06	01	N/A	N/A
Power Amplifier BONN	BSA 0125-125	2314648	N/A	N/A



Description Manufacturer	Model No.	Serial No.	Calibrated Date	Calibrated Until
Power Sensor R&S	NRV-Z5	837878/039	2023/10/16	2024/10/15
Pressure-field Microphone B&K	4192	3190854	2023/12/12	2024/12/11
		3190855	2023/12/12	2024/12/11
RF Power Meter R&S	NRVD	837794/040	2023/10/16	2024/10/15
Signal Generator R&S	SML03	101364	2023/8/16	2024/8/15
Software BVADT	ABMS_Audio V7.4.10	N/A	N/A	N/A
Software BVADT	BVADT_CS_V7.6.6	N/A	N/A	N/A
Two channel microphone conditioning amplifier B&K	2690 A OS2	2645274	2023/6/8	2024/6/7
Wireless Connectivity Tester R&S	CMW270	101075	2023/4/28	2024/4/27

Notes:

1. The test was performed in Linkou CS Room No.1.
2. Tested Date: 2024/4/8

5 Limits of Test Items

5.1 Conducted Emissions from Power Ports

Frequency (MHz)	AC or DC power ports
	Quasi-peak, (dBuV)
0.15 - 0.5	99
0.5 - 30	93

Notes: The lower limit shall apply at the transition frequencies.

5.2 Radiated Emissions up to 1 GHz

Frequency (MHz)	Quasi-peak (dBuV/m)	
	at 3m	at 10m
30 - 230	50	40
230 - 1000	57	47

- Notes:
1. The lower limit shall apply at the transition frequencies.
 2. Emission level (dBuV/m) = 20 log Emission level (uV/m).
 3. All emanations from a digital device or system, including any network of conductors and apparatus connected thereto, shall not exceed the level of field strengths specified above.

5.3 Radiated Emissions above 1 GHz

Frequency (GHz)	dBuV/m (at 3m)	
	Average	Peak
1 - 3	56	76
3 - 6	60	80

- Notes:
1. The lower limit shall apply at the transition frequencies.
 2. Emission level (dBuV/m) = 20 log Emission level (uV/m).

Frequency Range of Radiated Measurement (For unintentional radiators)

Highest internal frequency (F_x) (MHz)	Highest measurement frequency (F_m) (GHz)
$F_x \leq 108 \text{ MHz}$	1
$108 \text{ MHz} < F_x \leq 500 \text{ MHz}$	2
$500 \text{ MHz} < F_x \leq 1 \text{ GHz}$	5
$F_x > 1 \text{ GHz}$	$5 \times F_x$ up to a maximum of 6 GHz

F_x is the highest fundamental frequency generated and/or used in the ITE or digital apparatus under test.

5.4 General immunity requirements

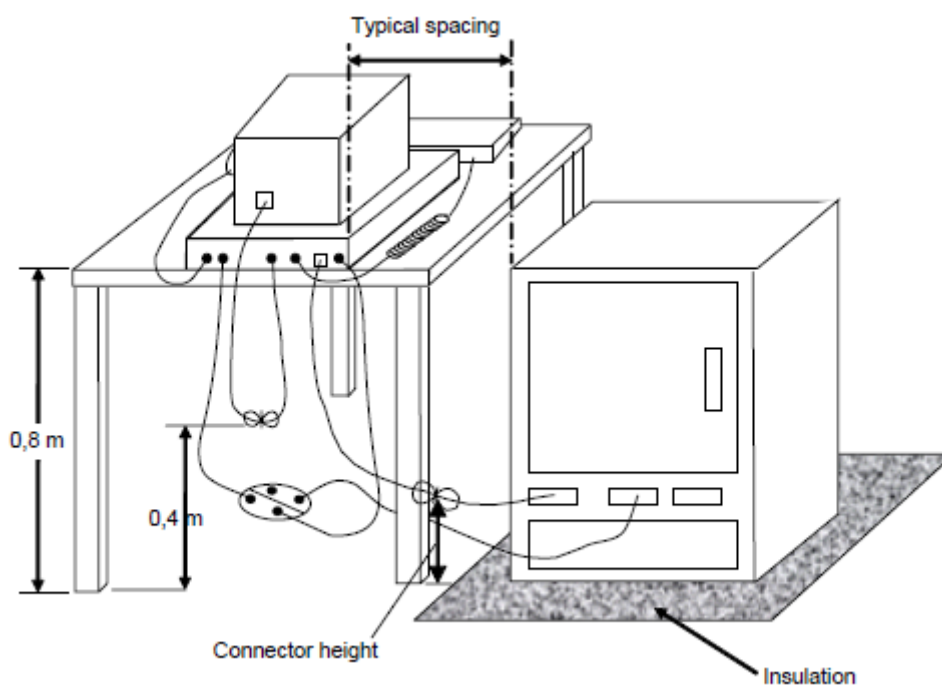
Port	Basic Standard	Test item	Test specification	Performance criteria
Power input	IEC 61000-4-4	Fast Transients, Common Mode (EFT)	±2 kV 5/50 ns 5 kHz, repetition frequency	A
	IEC 61000-4-5	Surge	Line to line: ±1 kV, 42 Ω, 0,5 μF, 1.2/50 μs Line to earth: ±2 kV, 42 Ω, 0,5 μF, 1.2/50 μs	B
	IEC 61000-4-6	Radio Frequency, Common Mode (CS)	0.15~80(MHz), 10 V, 80% AM (1 kHz)	A
Signal and communication, process measurement and control ports	IEC 61000-4-4	Fast Transients, Common Mode (EFT)	±2 kV 5/50 ns 5 kHz, repetition frequency	A
	IEC 61000-4-6	Radio Frequency, Common Mode (CS)	0.15~80 MHz, 10 V, 80% AM (1 kHz),	A
Enclosure	IEC 61000-4-2	Electrostatic Discharge (ESD)	±6 kV (contact) ±8 kV (Air)	B
	IEC 61000-4-3	Radio Frequency Electromagnetic Field (RS)	80~800 MHz, 20V/m*, 80% AM (1kHz) 800~1000 MHz, 20V/m, 80% AM (1kHz) 1400~2000 MHz, 10V/m, 80% AM (1kHz) 2000~2700 MHz, 5V/m, 80% AM (1kHz) 5100~6000 MHz, 3V/m, 80% AM (1kHz)	A

*: This limit applies to equipment mounted in the passenger compartments, drivers cab or external to the rolling stock (roof, underframe). For equipment mounted in all other areas a severity level of 10 V/m may be used.

6.2 Radiated Emissions up to 1 GHz

- For the table-top EUT is placed on a 0.8 meter to the top of rotating table; for the floor standing EUT shall be insulated (by insulation of maximum thickness of 150 mm) from the horizontal reference ground plane. The rotating table is rotated 360 degrees to determine the position of the highest radiation. If the equipment requires a dedicated ground connection, this shall be provided and bonded to the RGP.
- The EUT is set 10 meters away from the interference-receiving antenna, which is mounted on the top of a variable-height antenna tower.
- The antenna is a broadband antenna, and its height is varied from one meter to four meters above the ground to determine the maximum value of the field strength. Both horizontal and vertical polarizations of the antenna are set to make the measurement.
- For each suspected emission, the EUT was arranged to its worst case and then the antenna was tuned to heights from 1 meter to 4 meters and the rotatable table was turned from 0 degrees to 360 degrees to find the maximum reading.
- The test-receiver system was set to quasi-peak detect function and specified bandwidth with maximum hold mode when the test frequency is up to 1 GHz.

Note: The resolution bandwidth and video bandwidth of test receiver/spectrum analyzer is 120kHz for quasi-peak detection (QP) at frequency up to 1GHz.

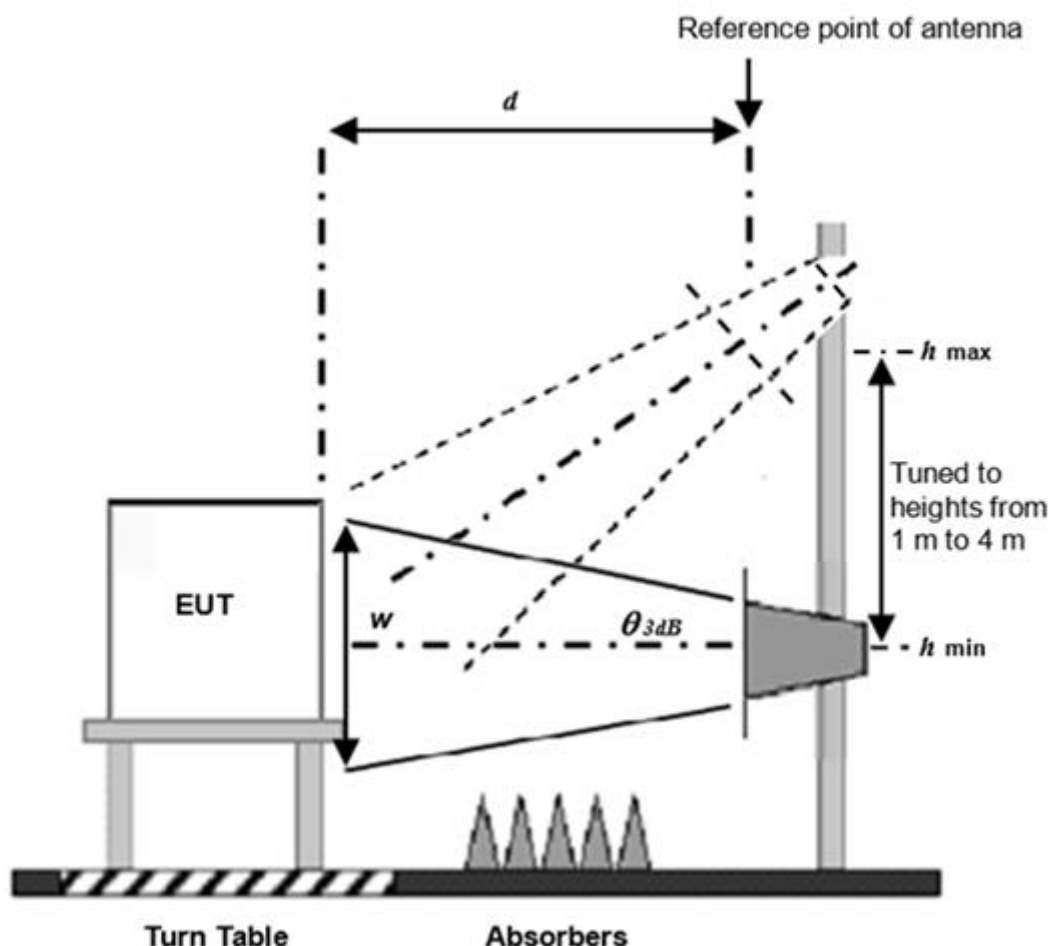


For the actual test configuration, please refer to the related Item – Photographs of the Test Configuration.

6.3 Radiated Emissions above 1 GHz

- For the table-top EUT is placed on a 0.8 meter to the top of rotating table; for the floor standing EUT shall be insulated (by insulation of maximum thickness of 150 mm) from the horizontal reference ground plane. The rotating table is rotated 360 degrees to determine the position of the highest radiation. If the equipment requires a dedicated ground connection, this shall be provided and bonded to the RGP.
- The EUT was set $d = 3$ meters away from the interference-receiving antenna, which was mounted on the top of a variable-height antenna tower.
- The height of antenna can be varied from one meter to four meters, the height of adjustment depends on the EUT height and the antenna 3dB beamwidth both, to detect the maximum value of the field strength. Both horizontal and vertical polarizations of the antenna are set to make the measurement.
- For each suspected emission, the EUT was arranged to its worst case and then the antenna was tuned to heights and the rotatable table was turned from 0 degrees to 360 degrees to find the maximum reading.
- The spectrum analyzer system was set to peak and average detects function and specified bandwidth with maximum hold mode when the test frequency is above 1 GHz.

Note: The resolution bandwidth of test receiver/spectrum analyzer is 1MHz and video bandwidth is 3MHz for Peak detection (PK) at frequency above 1GHz. The resolution bandwidth of test receiver/spectrum analyzer is 1 MHz for Average detection (AV) at frequency above 1GHz.



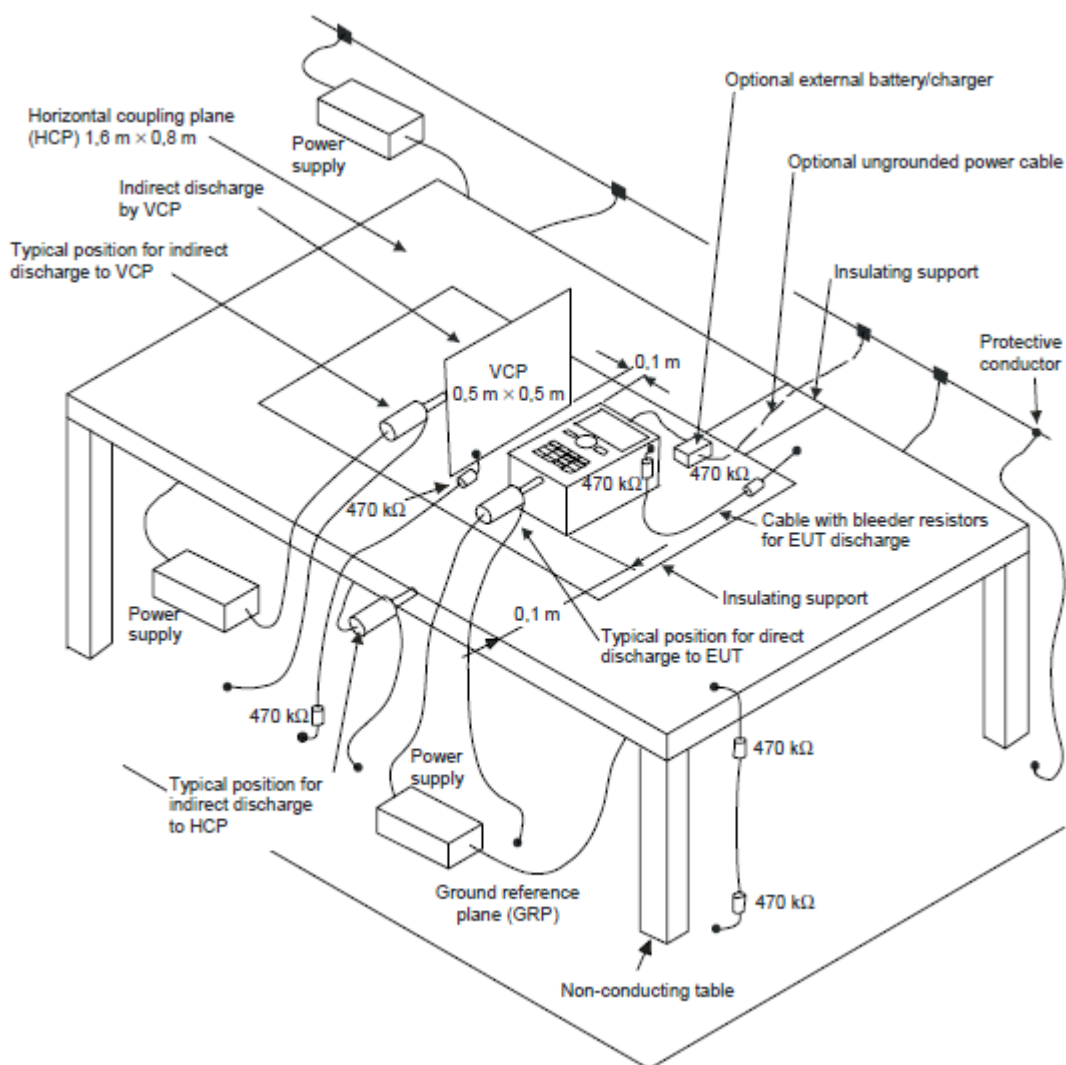
For the actual test configuration, please refer to the related item – Photographs of the Test Configuration.

6.4 Electrostatic Discharges (ESD)

Discharge Impedance:	330 ohm / 150 pF
Number of Discharge:	Air – Direct: 10 discharges per location (each polarity) Contact – Direct & Indirect: 10 discharges per location (each polarity)
Discharge Period:	1-second minimum

The basic test procedure was in accordance with EN/IEC 61000-4-2:

- a. Electrostatic discharges were applied only to those points and surfaces of the EUT that are accessible to users during normal operation.
- b. The test was performed with at least ten single discharges on the pre-selected points in the most sensitive polarity.
- c. The time interval between two successive single discharges was at least 1 second.
- d. The ESD generator was held perpendicularly to the surface to which the discharge was applied and the return cable was at least 0.2 meters from the EUT.
- e. Contact discharges were applied to the non-insulating coating, with the pointed tip of the generator penetrating the coating and contacting the conducting substrate.
- f. Air discharges were applied with the round discharge tip of the discharge electrode approaching the EUT as fast as possible (without causing mechanical damage) to touch the EUT. After each discharge, the ESD generator was removed from the EUT and re-triggered for a new single discharge. The test was repeated until all discharges were complete.
- g. At least ten single discharges (in the most sensitive polarity) were applied to the **Horizontal Coupling Plane** at points on each side of the EUT. The ESD generator was positioned at a distance of 0.1 meters from the EUT with the discharge electrode touching the **HCP**.
- h. At least ten single discharges (in the most sensitive polarity) were applied to the center of one vertical edge of the **Vertical Coupling Plane** in sufficiently different positions that the four faces of the EUT were completely illuminated. The **VCP** (dimensions 0.5m x 0.5m) was placed vertically to and 0.1 meters from the EUT.



For the actual test configuration, please refer to the related item – Photographs of the Test Configuration.

NOTE:

TABLE-TOP EQUIPMENT

The configuration consisted of a wooden table 0.8 meters high standing on the **Ground Reference Plane**. The **GRP** consisted of a sheet of aluminum at least 0.25mm thick, and 2.5 meters square connected to the protective grounding system. A **Horizontal Coupling Plane** (1.6m x 0.8m) was placed on the table and attached to the **GRP** by means of a cable with 940kΩ total impedance. The equipment under test, was installed in a representative system as described in section 7 of EN/IEC 61000-4-2, and its cables were placed on the **HCP** and isolated by an insulating support of 0.5mm thickness. A distance of 1-meter minimum was provided between the EUT and the walls of the laboratory and any other metallic structure.

FLOOR-STANDING EQUIPMENT

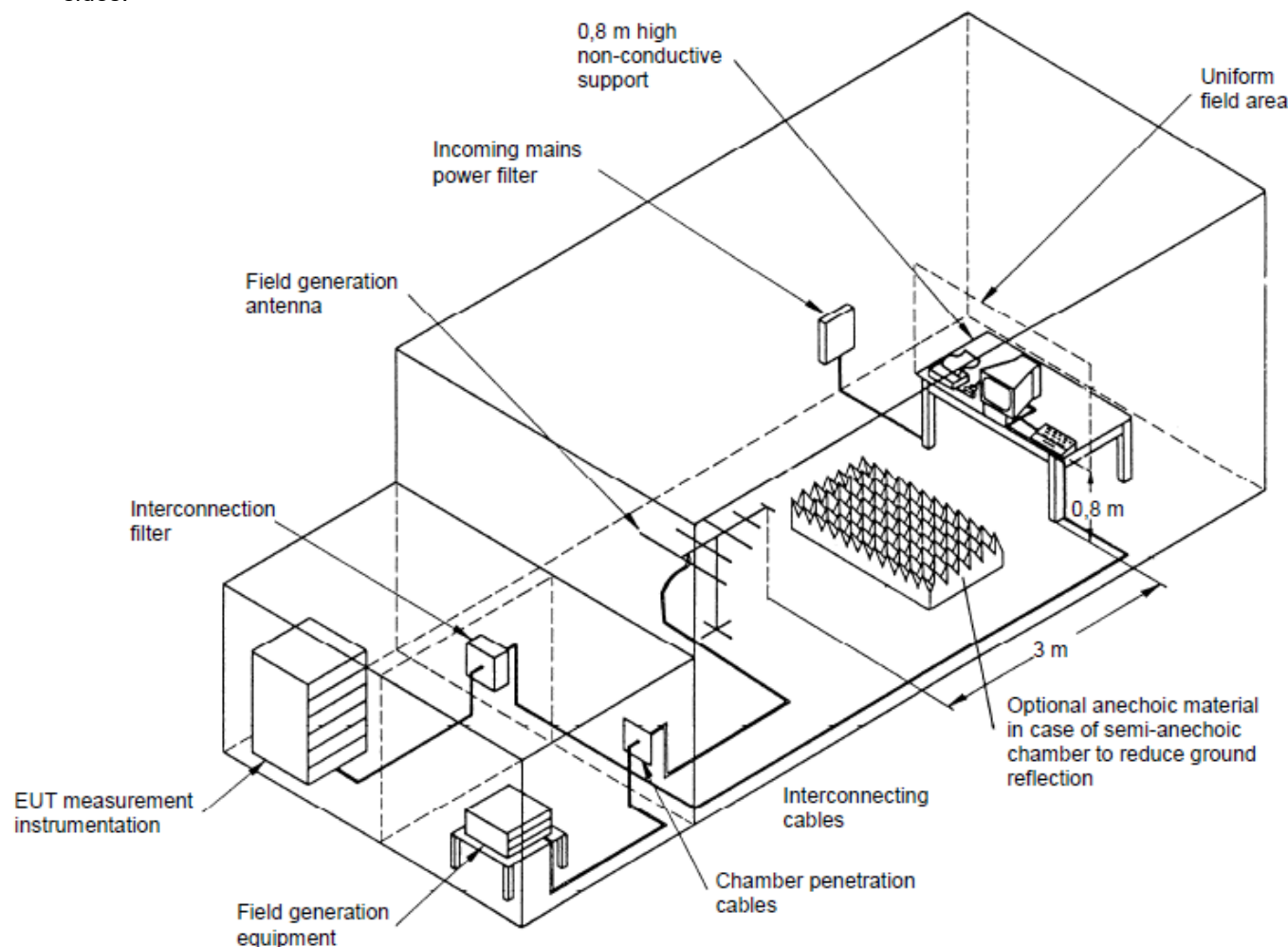
The equipment under test was installed in a representative system as described in section 7 of IEC 61000-4-2, and its cables were isolated from the Ground Reference Plane by an insulating support of 0.1-meter thickness. The GRP consisted of a sheet of aluminum that is at least 0.25mm thick, and 2.5 meters square connected to the protective grounding system and extended at least 0.5 m.

6.5 Radio Frequency Electromagnetic Field (RS)

Modulation:	1kHz Sine Wave, 80%, AM Modulation
Frequency Step:	1 % of preceding frequency value
Dwell Time:	3 seconds

The test procedure was in accordance with EN/IEC 61000-4-3.

- The testing was performed in a modified semi-anechoic chamber.
- The frequency range shall be swept, with the signal 80% amplitude modulated with a 1kHz sine wave.
- The test was performed with the EUT exposed to both vertically and horizontally polarized fields on each of the four sides.



For the actual test configuration, please refer to the related item – Photographs of the Test Configuration.

NOTE:

TABLETOP EQUIPMENT

The EUT installed in a representative system as described in section 7 of EN/IEC 61000-4-3 was placed on a non-conductive table 0.8 meters in height. The system under test was connected to the power and signal wire according to relevant installation instructions.

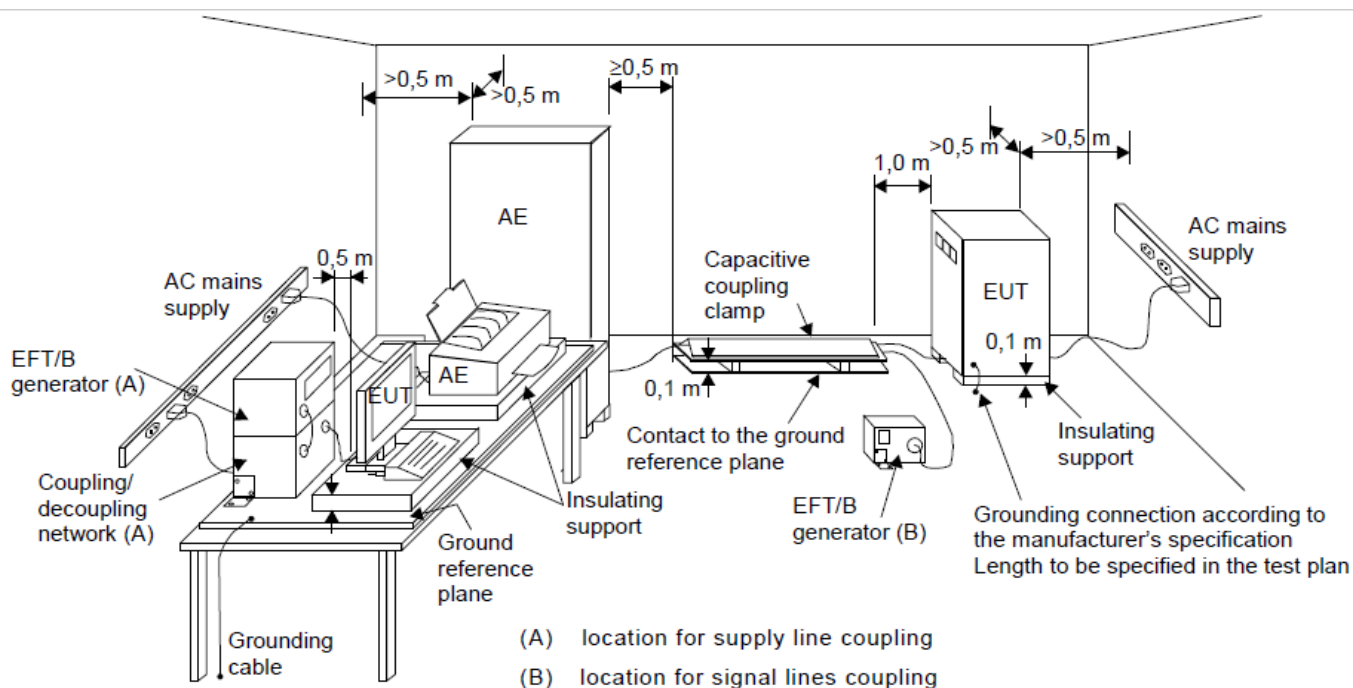
FLOOR STANDING EQUIPMENT

The EUT installed in a representative system as described in section 7 of EN/IEC 61000-4-3 was placed on a non-conductive wood support 0.1 meters in height. The system under test was connected to the power and signal wire according to relevant installation instructions.

6.6 Fast Transients Common Mode (EFT)

Impulse Repetition Frequency:	5kHz
Impulse Wave Shape:	5/50 ns
Burst Duration:	15 ms
Burst Period:	300 ms
Test Duration:	1 min.

- Both positive and negative polarity discharges were applied.
- The distance between any coupling devices and the EUT should be 0.5 m for table-top equipment testing, and 1.0 m for floor standing equipment.
- The duration time of each test sequential was 1 minute.
- The transient/burst waveform was in accordance with EN/IEC 61000-4-4, 5/50 ns.

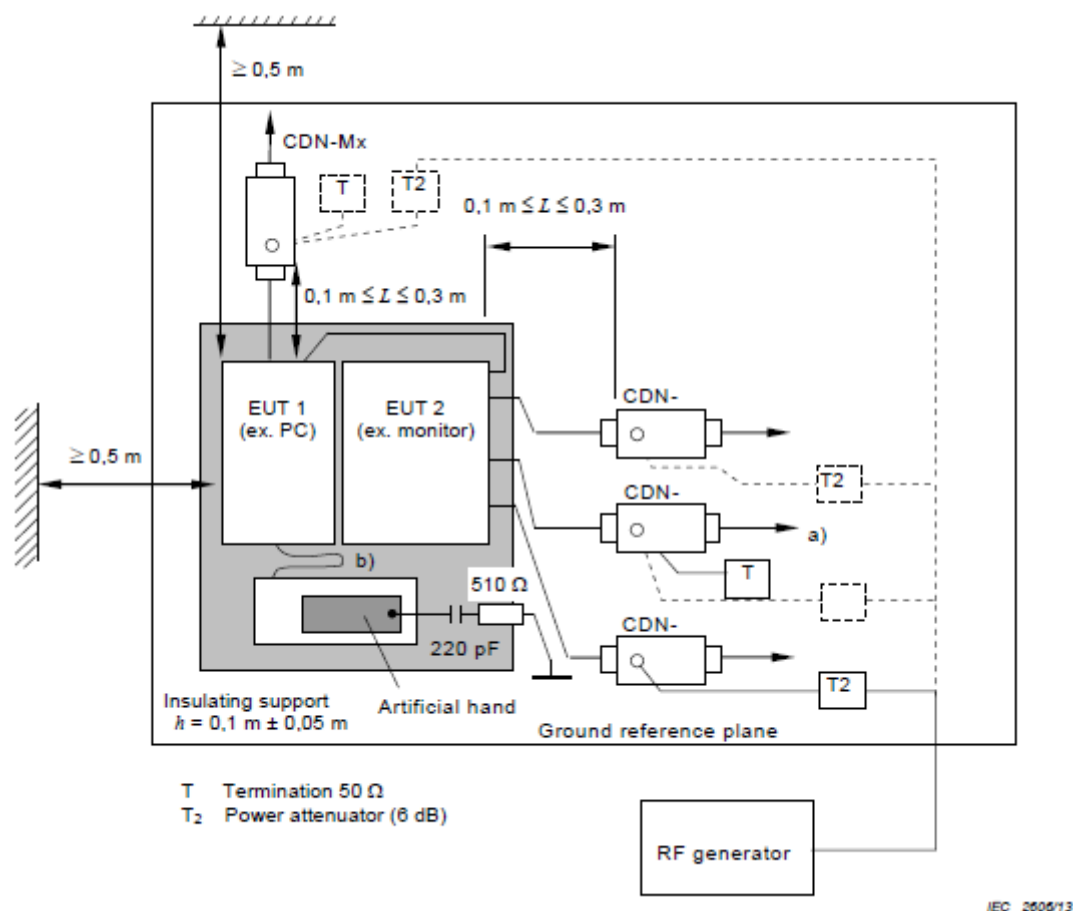


For the actual test configuration, please refer to the related item – Photographs of the Test Configuration.

6.7 Radio Frequency Common Mode (CS)

Modulation:	1kHz Sine Wave, 80%, AM Modulation
Frequency Step:	1 % of preceding frequency value
Dwell Time	3 seconds

- The EUT shall be tested within its intended operating and climatic conditions.
- An artificial hand was placed on the hand-held accessory and connected to the ground reference plane.
- One of the CDNs not used for injection was terminated with 50 ohm, providing only one return path. All other CDNs were coupled as decoupling networks.
- The frequency range shall be swept, using the signal level established during the setting process and with a disturbance signal of 80 % amplitude. The signal is modulated with a 1 kHz sine wave, pausing to adjust the RF signal level or the switch coupling devices as necessary. Where the frequency is swept incrementally, the step size shall not exceed 1 % of the preceding frequency value.
- Attempts should be made to fully exercise the EUT during testing, and to fully interrogate all exercise modes selected for susceptibility.



- Note:**
- The EUT clearance from any metallic obstacles shall be at least 0,5 m.
 - Interconnecting cables (≤ 1 m) belonging to the EUT shall remain on the insulating support.
- For the actual test configuration, please refer to the related item – Photographs of the Test Configuration.

7 Test Results of Test Item

7.1 Conducted Emissions from Power Ports

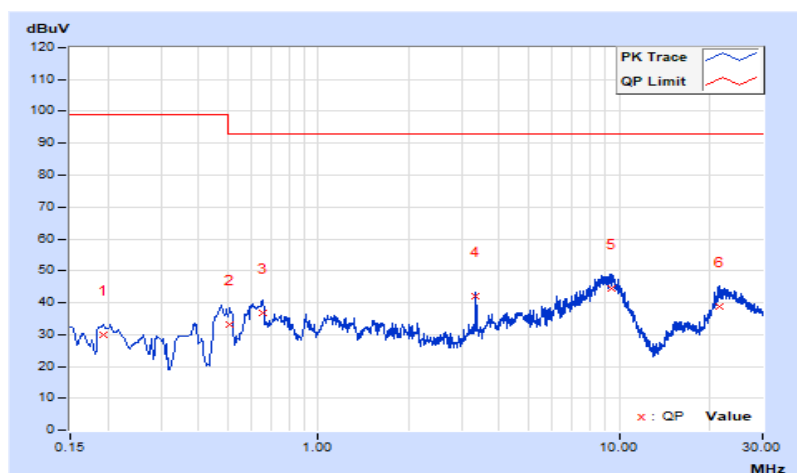
Mode A

Frequency Range	150 kHz ~ 30 MHz	Detector Function & Resolution Bandwidth	Quasi-Peak (QP), 9 kHz
Input Power	230 Vac, 50 Hz	Environmental Conditions	23°C, 79% RH, 999.2 mbar
Tested by	Perry Yang		

Phase Of Power : Line (L)						
No	Frequency (MHz)	Correction Factor (dB)	Reading Value (dBuV)	Emission Level (dBuV)	Limit (dBuV)	Margin (dB)
			Q.P.	Q.P.	Q.P.	Q.P.
1	0.19255	9.58	20.40	29.98	99.00	-69.02
2	0.50776	9.61	23.49	33.10	93.00	-59.90
3	0.65391	9.61	27.31	36.92	93.00	-56.08
4	3.35039	9.73	32.40	42.13	93.00	-50.87
5	9.39987	10.00	34.28	44.28	93.00	-48.72
6	21.59437	10.34	28.53	38.87	93.00	-54.13

Remarks:

1. Q.P. and AV. are abbreviations of quasi-peak and average individually.
2. The emission levels of other frequencies were very low against the limit.
3. Margin value = Emission level – Limit value
4. Correction factor = Insertion loss + Cable loss
5. Emission Level = Correction Factor + Reading Value

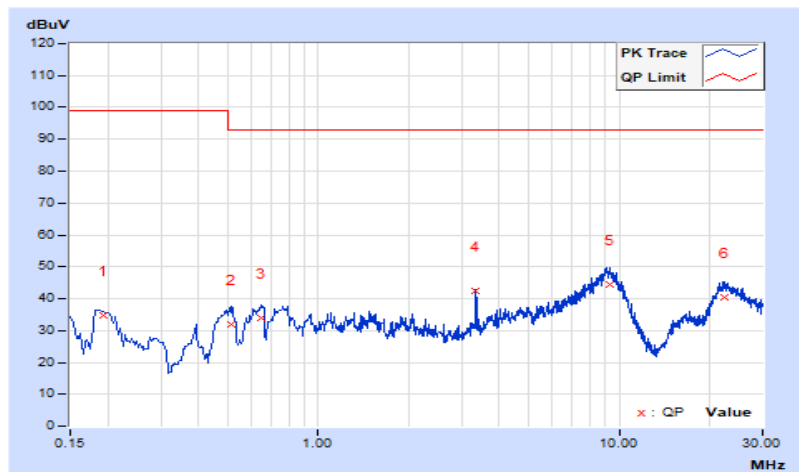


Frequency Range	150 kHz ~ 30 MHz	Detector Function & Resolution Bandwidth	Quasi-Peak (QP), 9 kHz
Input Power	230 Vac, 50 Hz	Environmental Conditions	23°C, 79% RH, 999.4 mbar
Tested by	Perry Yang		

Phase Of Power : Neutral (N)						
No	Frequency (MHz)	Correction Factor (dB)	Reading Value (dBuV)	Emission Level (dBuV)	Limit (dBuV)	Margin (dB)
			Q.P.	Q.P.	Q.P.	Q.P.
1	0.19305	9.63	25.02	34.65	99.00	-64.35
2	0.51173	9.53	22.57	32.10	93.00	-60.90
3	0.64471	9.55	24.58	34.13	93.00	-58.87
4	3.34960	9.77	32.83	42.60	93.00	-50.40
5	9.30210	10.01	34.56	44.57	93.00	-48.43
6	22.47435	10.42	30.17	40.59	93.00	-52.41

Remarks:

1. Q.P. and AV. are abbreviations of quasi-peak and average individually.
2. The emission levels of other frequencies were very low against the limit.
3. Margin value = Emission level – Limit value
4. Correction factor = Insertion loss + Cable loss
5. Emission Level = Correction Factor + Reading Value



7.2 Radiated Emissions up to 1 GHz

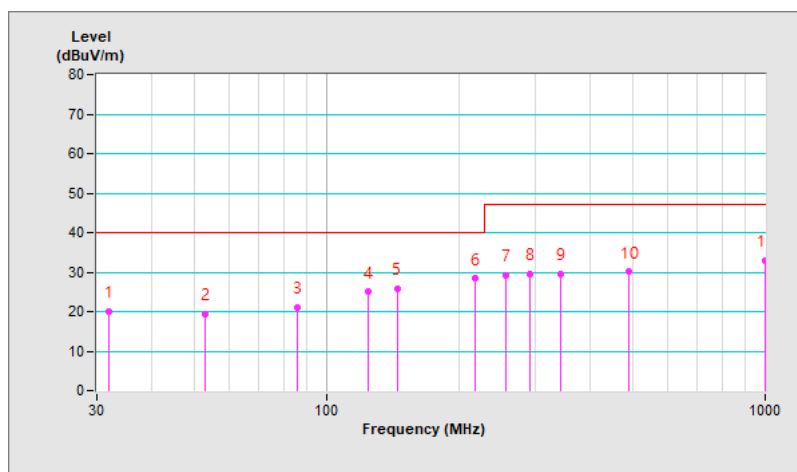
Mode A

Frequency Range	30 MHz ~ 1 GHz	Detector Function & Resolution Bandwidth	Quasi-Peak (QP), 120 kHz
Input Power	230 Vac, 50 Hz	Environmental Conditions	25°C, 75% RH, 1000 mbar
Tested By	Vincent Lin		

Antenna Polarity & Test Distance : Horizontal at 10 m								
No	Frequency (MHz)	Emission Level (dBuV/m)	Limit (dBuV/m)	Margin (dB)	Antenna Height (m)	Table Angle (Degree)	Raw Value (dBuV)	Correction Factor (dB/m)
1	32.00	19.92 QP	40.00	-20.08	4.00 H	331	35.90	-15.98
2	52.80	19.27 QP	40.00	-20.73	4.00 H	360	27.57	-8.30
3	86.20	20.98 QP	40.00	-19.02	4.00 H	317	34.99	-14.01
4	125.00	24.97 QP	40.00	-15.03	4.00 H	115	34.44	-9.47
5	144.84	25.86 QP	40.00	-14.14	4.00 H	17	33.57	-7.71
6	218.41	28.31 QP	40.00	-11.69	4.00 H	86	38.59	-10.28
7	257.26	29.26 QP	47.00	-17.74	4.00 H	247	37.03	-7.77
8	291.64	29.54 QP	47.00	-17.46	4.00 H	192	35.87	-6.33
9	342.04	29.57 QP	47.00	-17.43	4.00 H	79	35.01	-5.44
10	487.60	30.01 QP	47.00	-16.99	3.24 H	62	32.67	-2.66
11	1000.00	32.94 QP	47.00	-14.06	1.67 H	303	26.76	6.18

Remarks:

- Emission Level(dBuV/m) = Raw Value(dBuV) + Correction Factor(dB/m)
- Correction Factor(dB/m) = Antenna Factor (dB/m) + Cable Factor (dB)
– Pre-Amplifier Factor (dB)
- Margin value = Emission level – Limit value
- The other emission levels were very low against the limit.

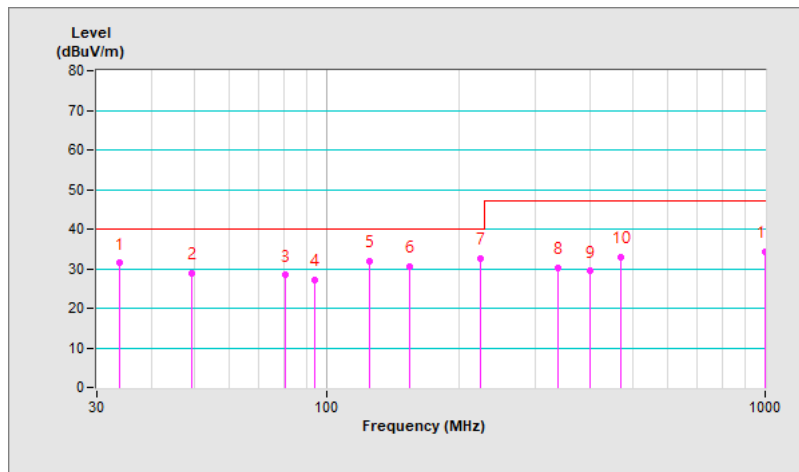


Frequency Range	30 MHz ~ 1 GHz	Detector Function & Resolution Bandwidth	Quasi-Peak (QP), 120 kHz
Input Power	230 Vac, 50 Hz	Environmental Conditions	25°C, 75% RH, 1000 mbar
Tested By	Vincent Lin		

Antenna Polarity & Test Distance : Vertical at 10 m								
No	Frequency (MHz)	Emission Level (dBuV/m)	Limit (dBuV/m)	Margin (dB)	Antenna Height (m)	Table Angle (Degree)	Raw Value (dBuV)	Correction Factor (dB/m)
1	33.77	31.44 QP	40.00	-8.56	1.83 V	312	47.16	-15.72
2	49.49	28.95 QP	40.00	-11.05	1.00 V	217	37.21	-8.26
3	80.75	28.34 QP	40.00	-11.66	1.00 V	211	41.64	-13.30
4	94.07	27.09 QP	40.00	-12.91	1.00 V	86	40.58	-13.49
5	125.01	31.93 QP	40.00	-8.07	1.00 V	14	41.38	-9.45
6	154.83	30.59 QP	40.00	-9.41	1.00 V	2	38.03	-7.44
7	224.68	32.68 QP	40.00	-7.32	1.00 V	265	42.78	-10.10
8	336.55	30.29 QP	47.00	-16.71	1.00 V	9	35.71	-5.42
9	400.01	29.37 QP	47.00	-17.63	2.66 V	141	33.65	-4.28
10	469.92	32.98 QP	47.00	-14.02	3.16 V	220	35.89	-2.91
11	1000.00	34.24 QP	47.00	-12.76	2.13 V	337	28.06	6.18

Remarks:

1. Emission Level(dBuV/m) = Raw Value(dBuV) + Correction Factor(dB/m)
2. Correction Factor(dB/m) = Antenna Factor (dB/m) + Cable Factor (dB) – Pre-Amplifier Factor (dB)
3. Margin value = Emission level – Limit value
4. The other emission levels were very low against the limit.



7.3 Radiated Emissions above 1 GHz

Mode A

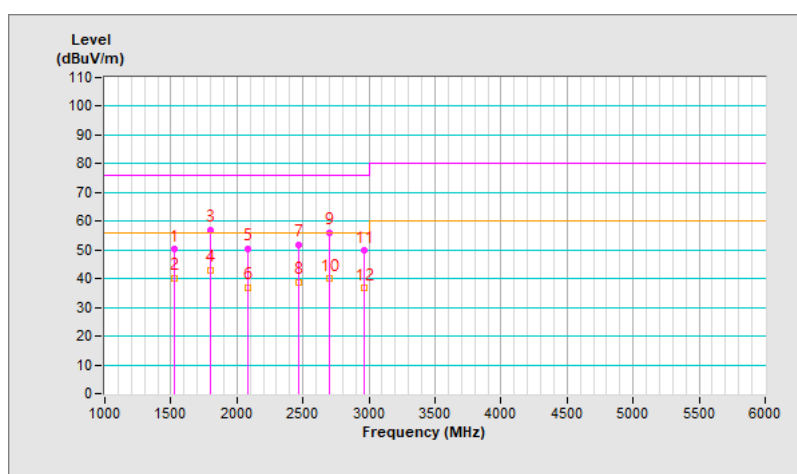
Frequency Range	1 GHz ~ 5 GHz	Detector Function & Resolution Bandwidth	Peak (PK) / Average (AV), 1 MHz
Input Power	230 Vac, 50 Hz	Environmental Conditions	23°C, 77% RH, 1001.1 mbar
Tested By	Desmond Chen		

Antenna Polarity & Test Distance : Horizontal at 3 m

No	Frequency (MHz)	Emission Level (dBuV/m)	Limit (dBuV/m)	Margin (dB)	Antenna Height (m)	Table Angle (Degree)	Raw Value (dBuV)	Correction Factor (dB/m)
1	1530.27	50.23 PK	76.00	-25.77	1.27 H	69	51.02	-0.79
2	1530.27	39.99 AV	56.00	-16.01	1.27 H	69	40.78	-0.79
3	1796.39	56.83 PK	76.00	-19.17	1.89 H	180	56.44	0.39
4	1796.39	43.09 AV	56.00	-12.91	1.89 H	180	42.70	0.39
5	2083.76	50.42 PK	76.00	-25.58	1.00 H	230	48.83	1.59
6	2083.76	36.73 AV	56.00	-19.27	1.00 H	230	35.14	1.59
7	2469.80	51.85 PK	76.00	-24.15	1.00 H	320	49.00	2.85
8	2469.80	38.72 AV	56.00	-17.28	1.00 H	320	35.87	2.85
9	2696.77	56.12 PK	76.00	-19.88	2.00 H	145	52.26	3.86
10	2696.77	39.91 AV	56.00	-16.09	2.00 H	145	36.05	3.86
11	2965.81	49.64 PK	76.00	-26.36	1.42 H	1	44.50	5.14
12	2965.81	36.69 AV	56.00	-19.31	1.42 H	1	31.55	5.14

Remarks:

- Emission Level(dBuV/m) = Raw Value(dBuV) + Correction Factor(dB/m)
- Correction Factor(dB/m) = Antenna Factor (dB/m) + Cable Factor (dB)
– Pre-Amplifier Factor (dB)
- Margin value = Emission level – Limit value
- The other emission levels were very low against the limit.

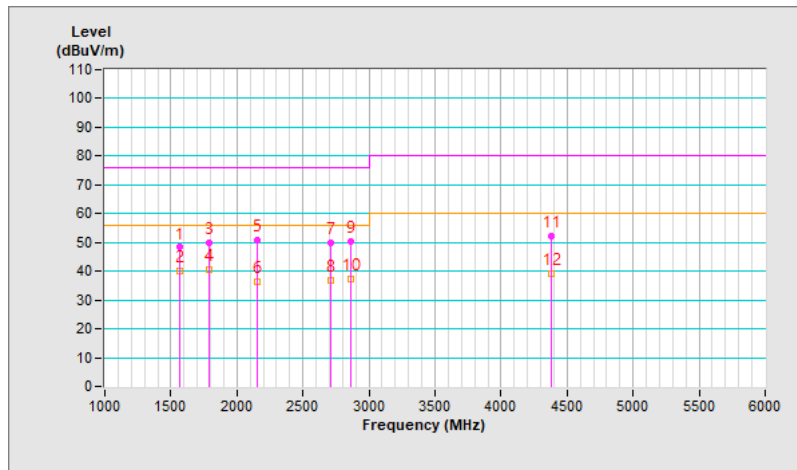


Frequency Range	1 GHz ~ 5 GHz	Detector Function & Resolution Bandwidth	Peak (PK) / Average (AV), 1 MHz
Input Power	230 Vac, 50 Hz	Environmental Conditions	23°C, 77% RH, 1001.2 mbar
Tested By	Desmond Chen		

Antenna Polarity & Test Distance : Vertical at 3 m								
No	Frequency (MHz)	Emission Level (dBuV/m)	Limit (dBuV/m)	Margin (dB)	Antenna Height (m)	Table Angle (Degree)	Raw Value (dBuV)	Correction Factor (dB/m)
1	1571.36	48.35 PK	76.00	-27.65	1.85 V	112	48.97	-0.62
2	1571.36	40.11 AV	56.00	-15.89	1.85 V	112	40.73	-0.62
3	1793.47	49.97 PK	76.00	-26.03	1.43 V	11	49.59	0.38
4	1793.47	40.78 AV	56.00	-15.22	1.43 V	11	40.40	0.38
5	2153.63	50.93 PK	76.00	-25.07	1.52 V	229	49.50	1.43
6	2153.63	36.35 AV	56.00	-19.65	1.52 V	229	34.92	1.43
7	2706.17	49.99 PK	76.00	-26.01	1.82 V	200	46.19	3.80
8	2706.17	36.79 AV	56.00	-19.21	1.82 V	200	32.99	3.80
9	2857.63	50.54 PK	76.00	-25.46	1.68 V	241	46.46	4.08
10	2857.63	37.32 AV	56.00	-18.68	1.68 V	241	33.24	4.08
11	4382.57	52.34 PK	80.00	-27.66	1.57 V	25	43.48	8.86
12	4382.57	39.05 AV	60.00	-20.95	1.57 V	25	30.19	8.86

Remarks:

1. Emission Level(dBuV/m) = Raw Value(dBuV) + Correction Factor(dB/m)
2. Correction Factor(dB/m) = Antenna Factor (dB/m) + Cable Factor (dB) – Pre-Amplifier Factor (dB)
3. Margin value = Emission level – Limit value
4. The other emission levels were very low against the limit.



7.4 Electrostatic Discharges (ESD)

Mode A

For EN 50121-3-2

Input Power	AC 230V / 50Hz	Environmental conditions	24 °C, 44 % RH 1010 mbar
Tested by	Joey Liu		

Test Results of Direct Application

Discharge Level (kV)	Polarity (+/-)	Test Point	Contact Discharge	Air Discharge	Performance Criteria
2, 4, 6	+/-	2,3	Note 1	---	A
2, 4	+/-	1	---	Note 1	A
8	+/-	1	---	Note 2	B

Description of test points of direct application: Please refer to following page for representative mark only.

Test Results of Indirect Application

Discharge Level (kV)	Polarity (+/-)	Test Point	Horizontal Coupling Plane	Vertical Coupling Plane	Performance Criteria
2, 4, 6	+/-	Four Side	Note 1	Note 1	A

Description of test points of indirect application:

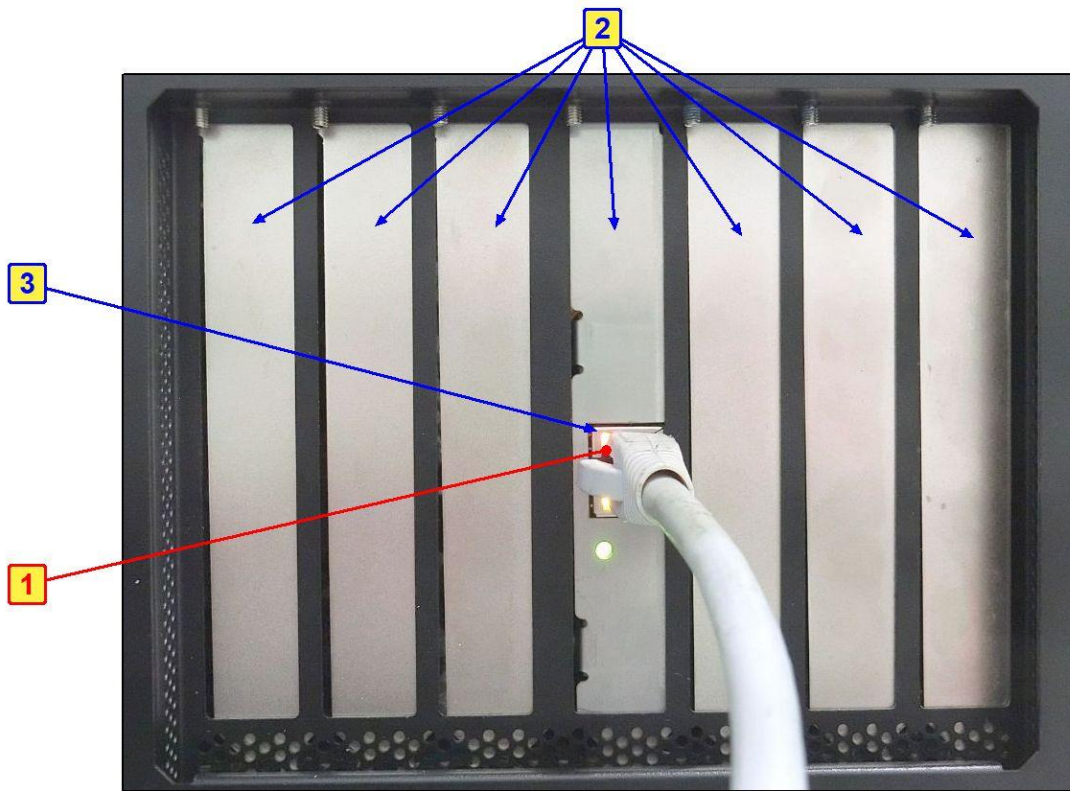
1. Front side 2. Rear side 3. Right side 4. Left side

Please refer to the attached page for description of test points.

Notes:

1. The EUT is operated normal during the test.
2. There are flicker on the Display screen during the test, but auto recover after test.

Description of test point



7.5 Radio Frequency Electromagnetic Field (RS)

Mode A

For EN 50121-3-2

Input Power	AC 230V / 50Hz	Environmental conditions	24 °C, 74 % RH 1006 mbar
Tested by	Joey Liu		

Frequency (MHz)	Polarity	Azimuth(°)	Applied Field Strength		Observation	Performance Criteria
			(V/m)	Modulation		
80 - 800	V&H	0, 90, 180, 270	20	80% AM (1kHz)	Note	A
800 - 1000	V&H	0, 90, 180, 270	20	80% AM (1kHz)	Note	A
1400 - 2000	V&H	0, 90, 180, 270	10	80% AM (1kHz)	Note	A
2000 - 2700	V&H	0, 90, 180, 270	5	80% AM (1kHz)	Note	A
5100 - 6000	V&H	0, 90, 180, 270	3	80% AM (1kHz)	Note	A

Note: The EUT is operated normal during the test.

7.6 Fast Transients Common Mode (EFT)

Mode A

For EN 50121-3-2

Input Power	AC 230V / 50Hz	Environmental conditions	25 °C, 74 % RH 1002 mbar
Tested by	Joey Liu		

Wired network and signal/ control port				
Voltage (kV)	Test Point	Polarity (+/-)	Observation	Performance Criteria
2	LAN CARD (1G POE)	+/-	Note	A

Note: The EUT is operated normal during the test.

7.7 Radio Frequency Common Mode (CS)

Mode A

For EN 50121-3-2

Input Power	AC 230V / 50Hz	Environmental conditions	22 °C, 76 % RH 1002 mbar
Tested by	Joey Liu		

Wired network and signal/ control port							
Frequency (MHz)	Level (V rms)	Modulation	Tested Line	Injection Method	Return Path	Observation	Performance Criteria
0.15 – 80	10	80% AM (1kHz)	LAN CARD (1G POE)	CDN-ST08A	CDN-M1	Note	A

Note: The EUT is operated normal during the test.

8 Pictures of Test Arrangements

8.1 Conducted Emissions from Power Ports

Mode A



8.2 Radiated Emissions up to 1 GHz

Mode A



8.3 Radiated Emissions above 1 GHz

Mode A



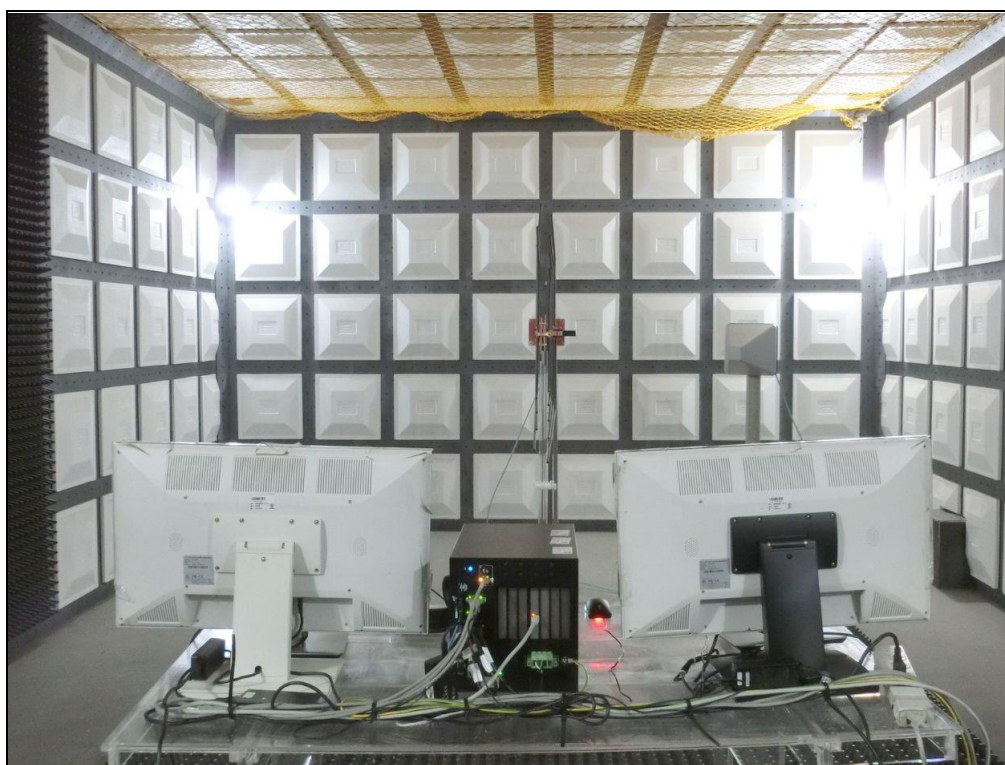
8.4 Electrostatic Discharges (ESD)

Mode A



8.5 Radio Frequency Electromagnetic Field (RS)

Mode A



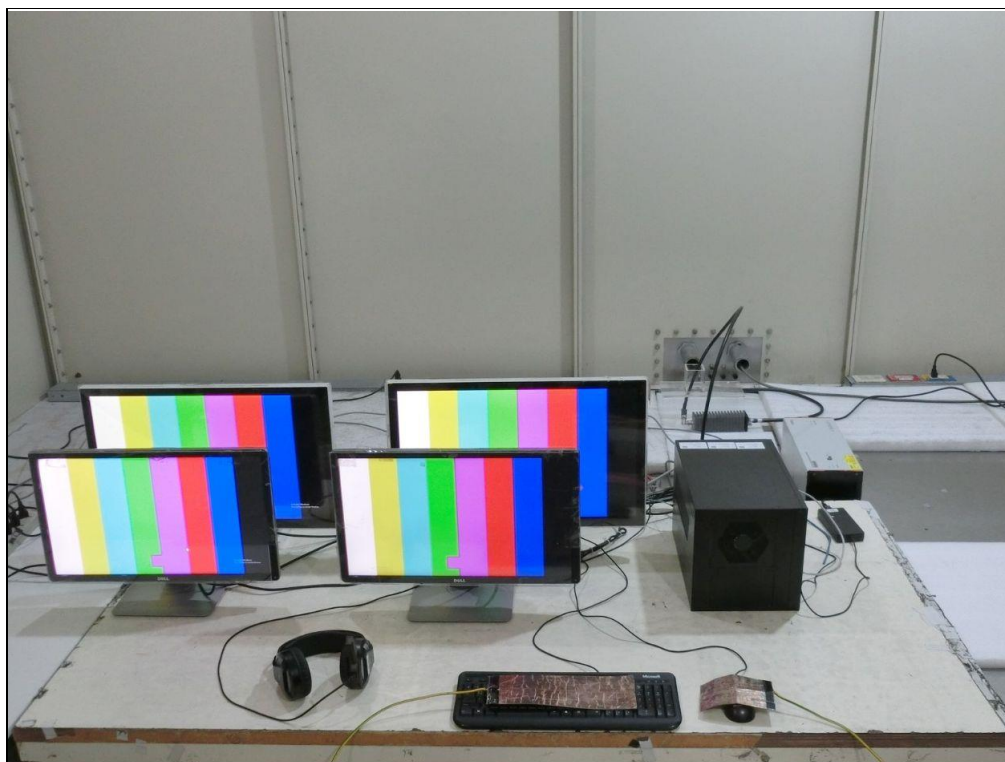
8.6 Fast Transients Common Mode (EFT)

Mode A



8.7 Radio Frequency Common Mode (CS)

Mode A



9 Information of the Testing Laboratories

We, Bureau Veritas Consumer Products Services (H.K.) Ltd., Taoyuan Branch, were founded in 1988 to provide our best service in EMC, Radio, Telecom and Safety consultation. Our laboratories are FCC recognized accredited test firms and accredited according to ISO/IEC 17025.

If you have any comments, please feel free to contact us at the following:

Lin Kou EMC/RF Lab

Tel: 886-2-26052180

Fax: 886-2-26051924

Hsin Chu EMC/RF/Telecom Lab

Tel: 886-3-6668565

Fax: 886-3-6668323

Hwa Ya EMC/RF/Safety Lab

Tel: 886-3-3183232

Fax: 886-3-3270892

Email: service.adt@bureauveritas.com

Web Site: <http://ee.bureauveritas.com.tw>

The address and road map of all our labs can be found in our web site also.

--- END ---